

TENSOR Double-Acting Hinge

Wall and glass mount

Installation instructions

812001 – 01-2018

| EN |

dormakaba 

Table of contents

1	Technical specifications	3
1.1	Overview	3
	1.1.1 General information	3
	1.1.2 Intended use	3
	1.1.3 Glass requirements/fittings/mounting	3
	1.1.4 Requirements for glass panel	3
	1.1.5 Safety instructions	3
	1.1.6 Symbols used - Safety/Installation	3
	1.1.7 Maintenance, care, repair	3
	1.1.8 Disposal	3
2	Application variations	4
3	Installation instructions - wall mount	5
3.1	Disassemble and prep hinges	5
3.2	Secure wall plate/Secure hinge to glass	5
3.3	Mount door to wall	6
4	Installation instructions - glass mount	7
4.1	Prep door frame, disassemble and prep hinge	7
4.2	Secure hinge to sidelite	7
4.3	Secure glass door hinge	8
4.4	Install door stops (not provided)	8
5	Adjustments	9
5.1	Adjust door to "0" position	9
5.2	Install cover caps	9

1 Technical specifications

1.1 Overview

These instructions are for installation of TENSOR Double-Acting Hinges for the following mounting and style versions:

1. Wall and glass mount

1.1.1 General information

- dormakaba requires use of tempered monolithic glass.
- dormakaba glass hardware is not suitable for harsh environment; for example, applications where chemicals (e.g. chlorine) are used such as indoor swimming pools, saunas, or salt-water pools.
- Do not swing doors with excessive force. Ensure proper installation of limiting stop to prevent door from opening too far.

1.1.2 Intended use

- For swinging doors in dry indoor and covered areas only.
- For manual slow opening and closing only.

1.1.3 Glass requirements/fittings/mounting

- The substructure/wall must be able to bear permanent loads, be level (max. tolerance: 1/16" [2] per 39" [1m]).
- Fasteners must be sufficiently dimensioned for the substructure/wall and weight of the door.
- When adjusting glass elements, always stick to the required clearance for the respective hardware. Adjust clearance so glass does not come in contact with any hard surfaces such as glass, metal or concrete.
- Do not use excessive force when installing the glass (avoid over tightening screws.)

1.1.4 Requirements for glass panel

- Heat-soaked thermally tempered monolithic glass
- Clamping area must be flat and uncoated (no self-cleaning coating!)
- Never use glass with conchoidal fractures and/or damaged edges.

1.1.5 Safety instructions

- Installation requires two people.
- Only properly qualified and specially trained staff are authorized to mount dormakaba glass hardware.
- Due to crushing hazards and possible injury caused by breakage of glass during mounting, corresponding protective clothing (especially gloves and protective goggles) is required.
- Never clamp metal fitting hardware directly to glass surface.

1.1.6 Symbols used - Safety/Installation



CAUTION

Mounting components must meet the requirements of substructure/wall and door weight. Please read the technical information for fittings.



WARNING

Risk of breaking glass. When installing the door, support the door panel with a block of wood or similar object.



CAUTION

Due to the reset-mechanism, a low degree of operational sounds can be expected.



TIPS AND RECOMMENDATIONS

Information note

TIPS AND RECOMMENDATIONS



No further warranty is provided if the identification label has been damaged or removed.



CLOSING EDGE OF DOOR

1.1.7 Maintenance, care, repair

- Immediately replace damaged parts.
- Always use original dormakaba parts.
- Clean clamping area with alcohol-based standard commercial cleaning agent before mounting the glass hardware.
- Use a damp cloth for occasional cleaning.
- Always use silicone - and oil-free cleaners (e.g. acetone).
- Lightly grease bushings during maintenance using multi-functioning oil (silicone-, resin-, teflon-free, acid-free only) (example: white lithium grease).
- Check glass hardware at regular intervals for proper positioning, smooth operation and correct adjustment.
- High traffic door systems require inspection by properly qualified staff (specialized companies or installation firms.)
- Function of fittings is recommended to be inspected annually or every 100,000 movements by a specialist.

1.1.8 Disposal

Disposal in accordance with local, state and national regulations.

2 Application variations

Fig 1

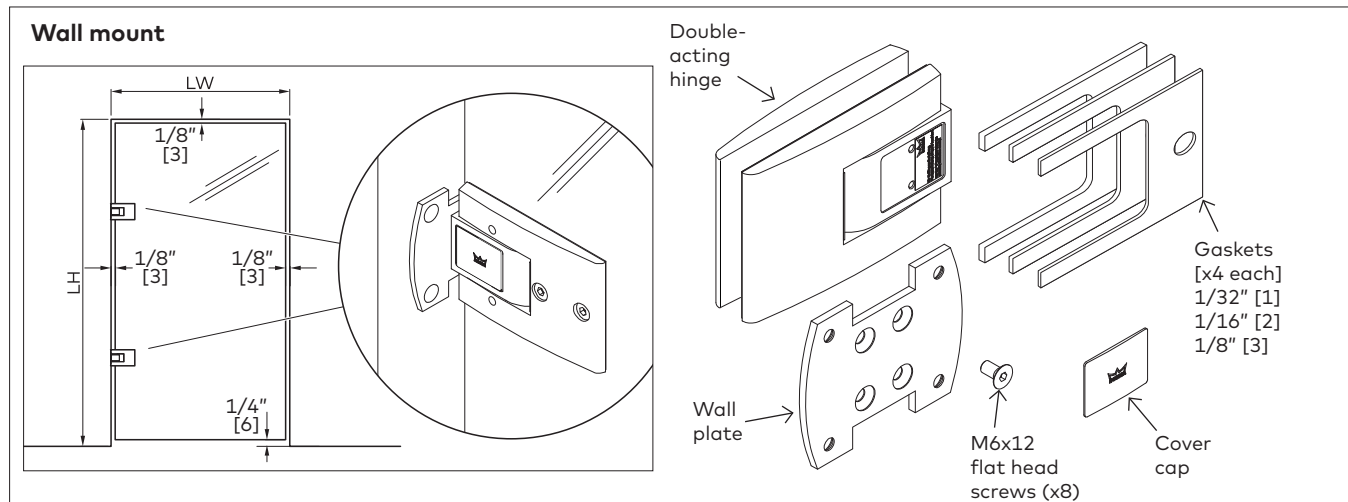
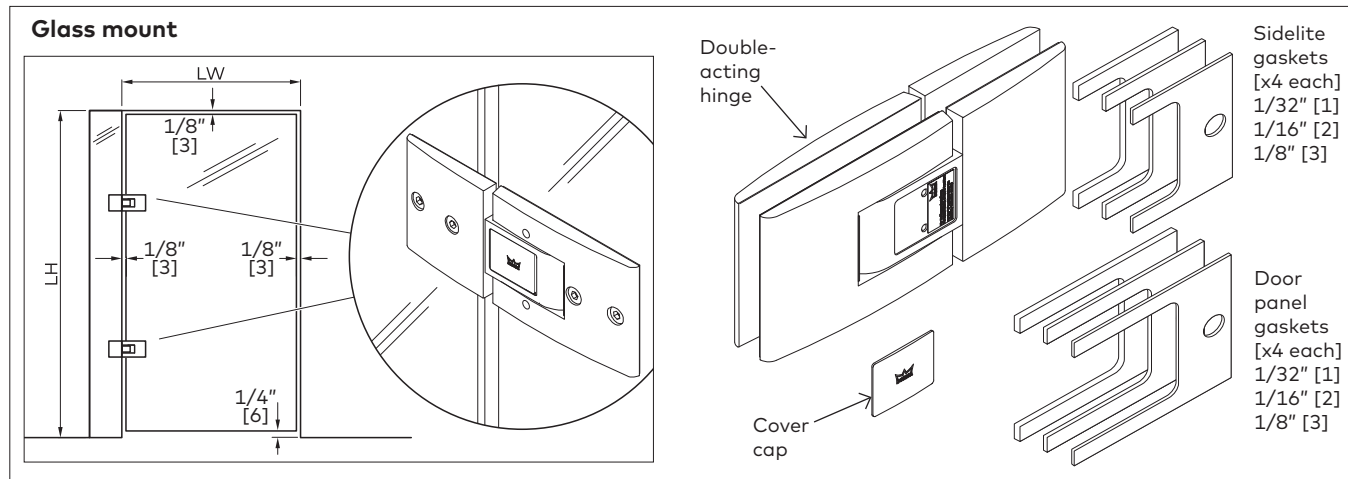


Fig 2



3 Installation instructions - wall mount

3.1 Disassemble and prep hinges

Fig 3

3.1.1 Disassemble hinges.

3.1.2 Determine appropriate gasket size.

- Use chart for reference.

3.1.3 Peel adhesive from back of hinge plates.

3.1.4 Adhere gaskets to inside of hinge plates.

Gasket size reference chart			
Glass thickness	1/2" [12]	3/8" [10]	5/16" [8]
Gaskets	1/32" [1]	1/16" [2]	1/18" [3]

Hex key size	
TENSOR	4mm

3.2 Secure wall plate/Secure hinge to glass

Fig 4

Hex key size	
TENSOR	4mm
	5mm

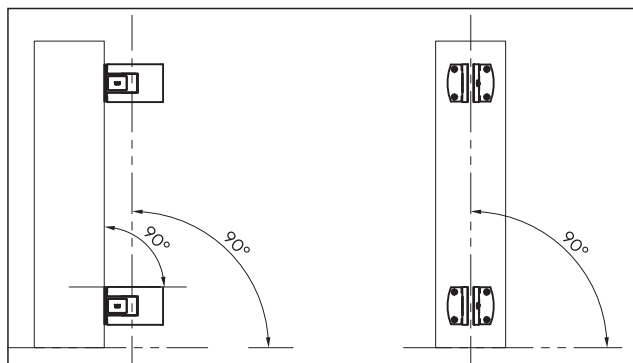
- 3.2.1 Secure wall plate to hinge.
- Use included fasteners.
 - Tighten at 8.8 ft lbs [12Nm].

- 3.2.2 Lay glass door panel flat.
- 3.2.3 Secure hinge plate to glass.
- Use included fasteners.
 - Tighten at 11 ft lbs [15Nm].

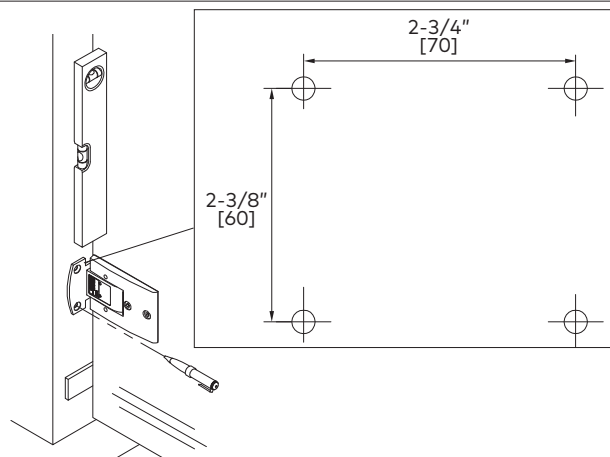
3.3 Mount door to wall

Fig 5

NOTE: Place glass door on setting blocks during installation.



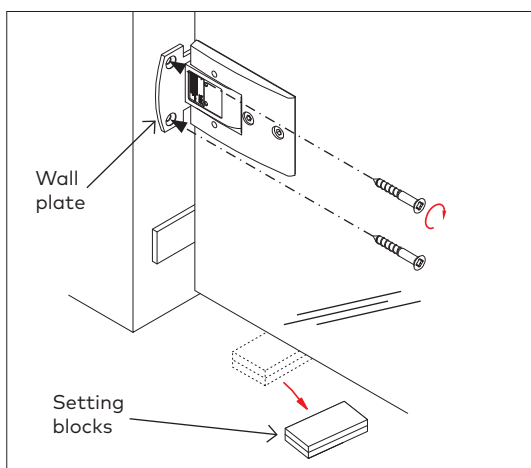
3.3.1 Tip glass up and into place, aligning door vertically and perpendicularly.



3.3.2 Mark holes for drilling (upper and lower hinge).

3.3.3 REMOVE GLASS DOOR and set aside.

3.3.4 Drill holes using a bit appropriately sized for your specific fastener.



3.3.5 REPLACE GLASS DOOR and realign.

3.3.6 Secure wall plate to wall.

- Realign door.
- Use appropriate fasteners for your application.

3.3.7 Remove settings blocks.

4 Installation instructions - glass mount

4.1 Prep door frame, disassemble and prep hinge

Fig 6

Gasket size reference chart

Glass thickness	1/2" [12]	3/8" [10]	5/16" [8]
Gaskets	1/32" [1]	1/16" [2]	1/18" [3]

4.1.1 Disassemble hinges.
4.1.2 Determine appropriate gasket size.
• Use chart for reference.
4.1.3 Peel adhesive from back of hinge plates.
4.1.4 Adhere gaskets to inside of all hinge plates.

Hex key size
TENSOR 4mm

4.2 Secure hinge to sidelite

Fig 7

Hex key size
TENSOR 4mm

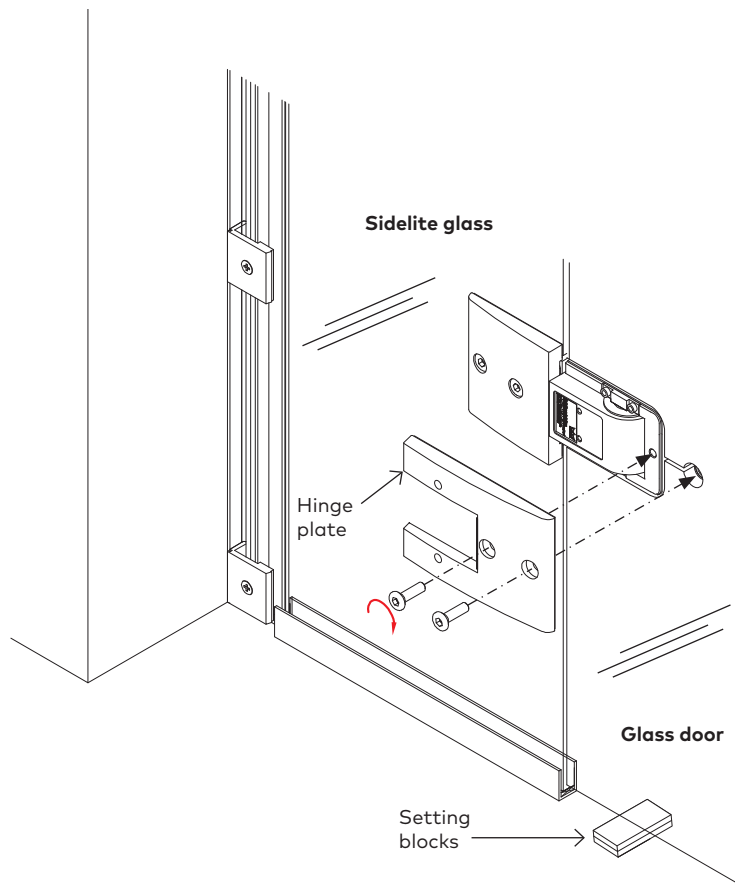
4.2.1 Secure sidelite hinge plate to sidelite glass.
• Hand tighten ONLY.
4.2.2 Ensure hinge is level.
4.2.3 Now tighten fully.
• Tighten at 11 ft lbs [15Nm].

4.3 Secure glass door hinge

Fig 8

NOTE: Place glass door on setting blocks during installation.

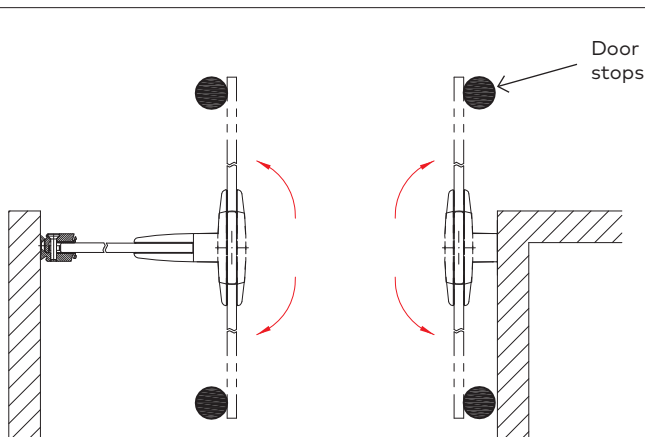
Hex key size	
TENSOR	4mm



- 4.3.1 Tip glass door up and onto setting blocks.
- 4.3.2 Set glass door in place.
- 4.3.3 Secure hinge plate to glass door.
 - Use included fasteners.
 - Tighten at 11 ft lbs [15Nm].

4.4 Install door stops (not provided)

Fig 9

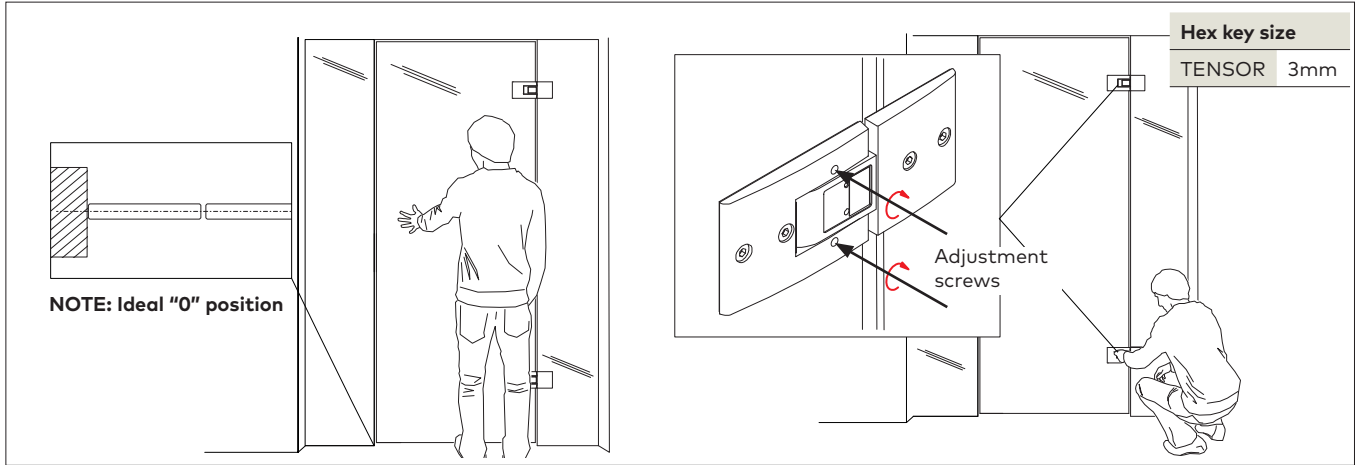


- NOTE: Do not allow door to open past 90°.**
- NOTE: Install door stops to prevent door from opening past its maximum swing angle.**

5 Adjustments

5.1 Adjust door to "0" position

Fig 10

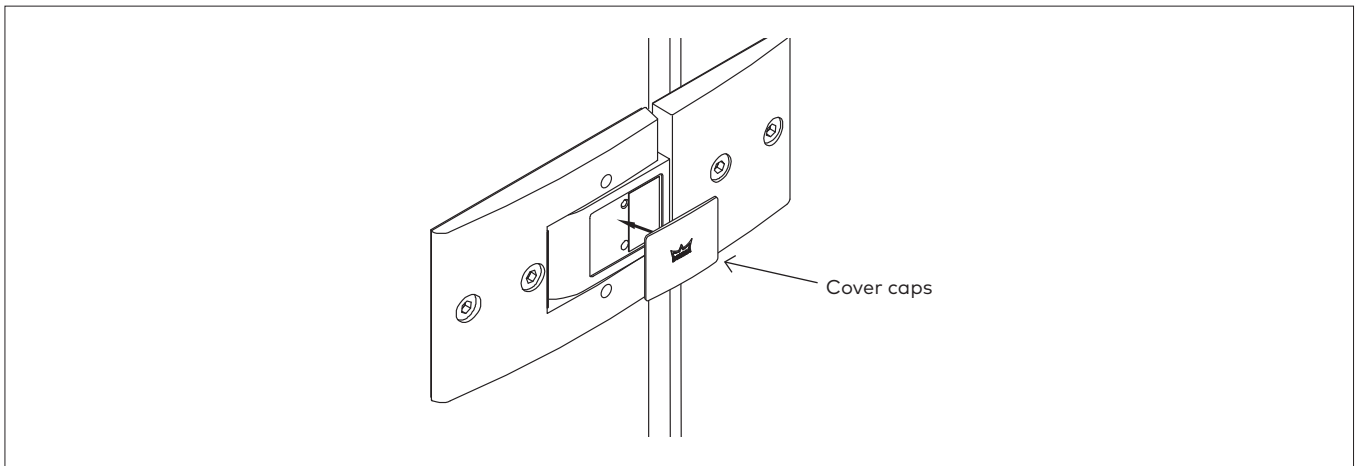


- 5.1.1 Remove all setting blocks.
- 5.1.2 Bring door panel to ideal "0" position. See image above for reference.

- 5.1.3 Tighten adjustment screws (2x upper hinge and 2x lower hinge).
 - At 4 ft lbs [5Nm]
- 5.1.4 Check swing of door. Readjust if necessary.

5.2 Install cover caps

Fig 11



- 5.2.1 Snap cover caps into place.

